

FISHER & PAYKEL

REFRIGERATOR FREEZER

RF170BRPX6 N FP US

PRODUCT CODE: 25947-A

PARTS MANUAL

US CA

INTRODUCTION

| BRAND | VOLTAGE | MODEL | PRODUCT CODE |
|-----------------|----------------|--------------------|---------------------|
| Fisher & Paykel | 110-120 60Hz | RF170BRPX6 N FP US | 25947-A |

MODELS

- The models covered by this manual are listed on the front cover.
- The information detailed in this manual is subject to change without notice. The latest version is indicated by the reprint date and replaces any earlier editions.

KIT PARTS

Where a part number is shown against the descriptions for kit components, they are also available as separate items. In addition, some parts may be supplied with these kits that are not available as separate items, and are therefore either not listed, or a part number is not shown against the part description in this manual.

PARTS LIST KEY

| | |
|-----------------|--|
| NI | As a part reference, indicates the part is not illustrated on the diagram. |
| NOT USED | As a part number, indicates the diagram part reference is not used in this manual. |
| NS | As a part number, indicates the part is not servicable. |

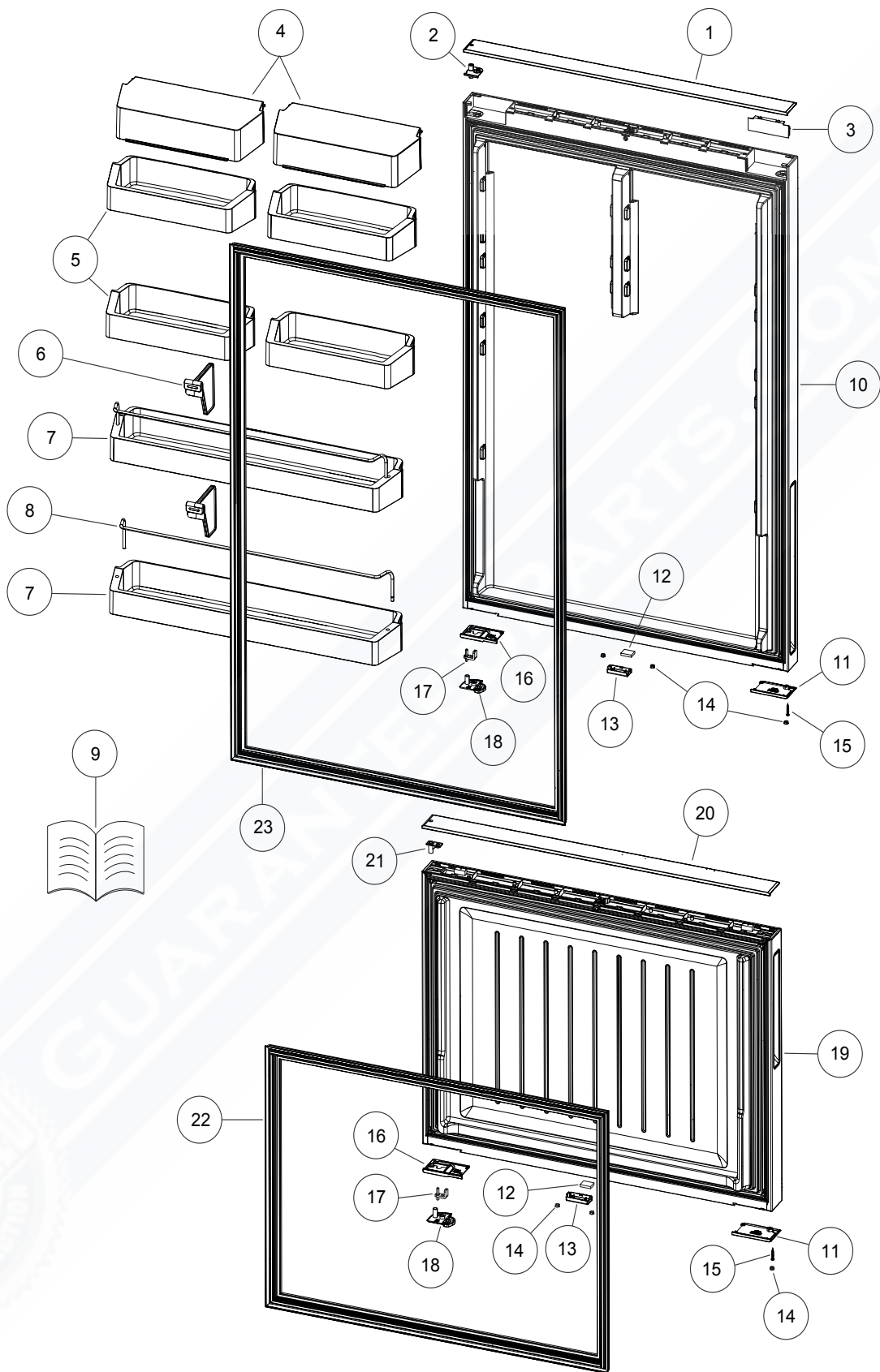
CONTENTS

| | |
|----------------------------|----|
| INTRODUCTION | 1 |
| DOOR COMPONENTS | 3 |
| CABINET COMPONENTS | 5 |
| CABINET ACCESSORIES | 11 |
| EVAPORATOR AREA COMPONENTS | 13 |
| DUCT COVER COMPONENTS | 15 |
| TERMINAL, PLUGS & SOCKETS | 17 |
| COMPRESSOR AREA COMPONENTS | 19 |

GUARANTEEDPARTS.COM



DOOR COMPONENTS



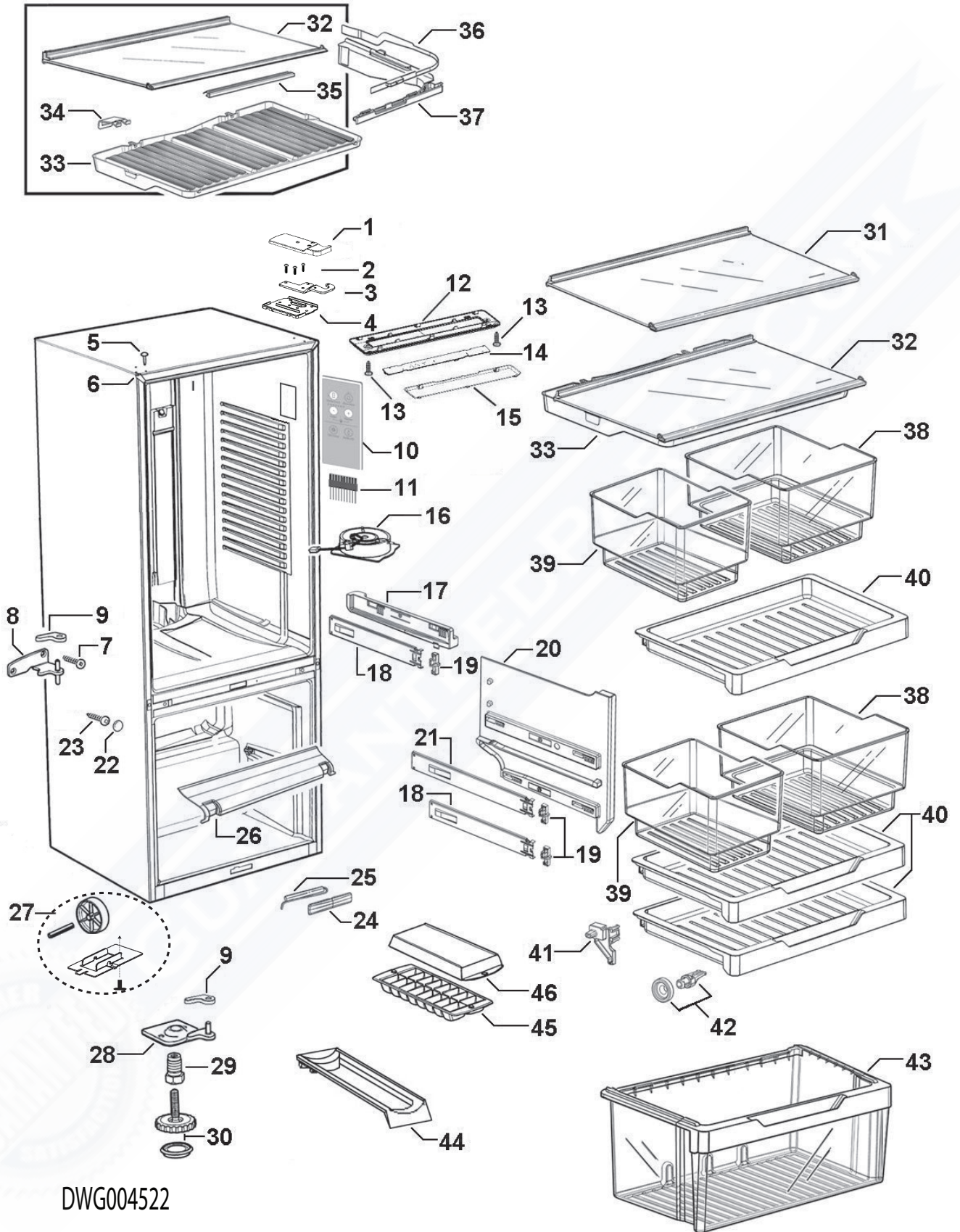
DWG004189

DWG 004189

DOOR COMPONENTS

| REFERENCE | PART NUMBER | PART DESCRIPTION |
|-----------|-------------|-------------------------------|
| 1 | 842125 | COVER DOOR SF TOP 790B GR |
| 2 | 839659 | BEARING HINGE WATER RH UD |
| 3 | 842103 | COVER DOOR TOP NONHINGE GR |
| 4 | 821467 | COVER SHELF RF522W |
| 5 | 839723 | SHELF DOOR SOLID 790 |
| 6 | 821805 | DIVIDER BOTTLE 522B |
| 7 | 821630 | SHELF DR BTM RF522W |
| 8 | 821465 | RAIL SHELF DOOR RF522W |
| 9 | 845266 | BOOK UUC AS U-DOOR USA CA |
| 10 | 848381P | DOOR PC 790X1052.5 P SX2 RH |
| 11 | 842369P | COVER DOOR BOT NONHINGE RH GR |
| 12 | 883315 | MAGNET DOOR SWITCH ST4 |
| 13 | 842122 | COVER MAGNET DOOR UD GR |
| 14 | 842483P | PLUG DOOR BOTTOM GR |
| 15 | 817825P | SCREW #8X22 WAFER PH ST TV |
| 16 | 842372 | COVER DR BOT UD HINGE RH GR |
| 17 | 814537 | DOOR STOP ASSY |
| 18 | 843387 | CLOSING HOOK DR STOP RH GR NO |
| 19 | 849042P | DOOR FC 790X605 P SX2 RH |
| 20 | 842748 | COVER DOOR SF TOP 790B GR RH |
| 21 | 813931 | BEARING HINGE TOP GR |
| 22 | 841373P | GASKET FRAME PUSHIN 790B FC |
| 23 | 841362P | GASKET FRAME PUSHIN 522B PC |

CABINET COMPONENTS

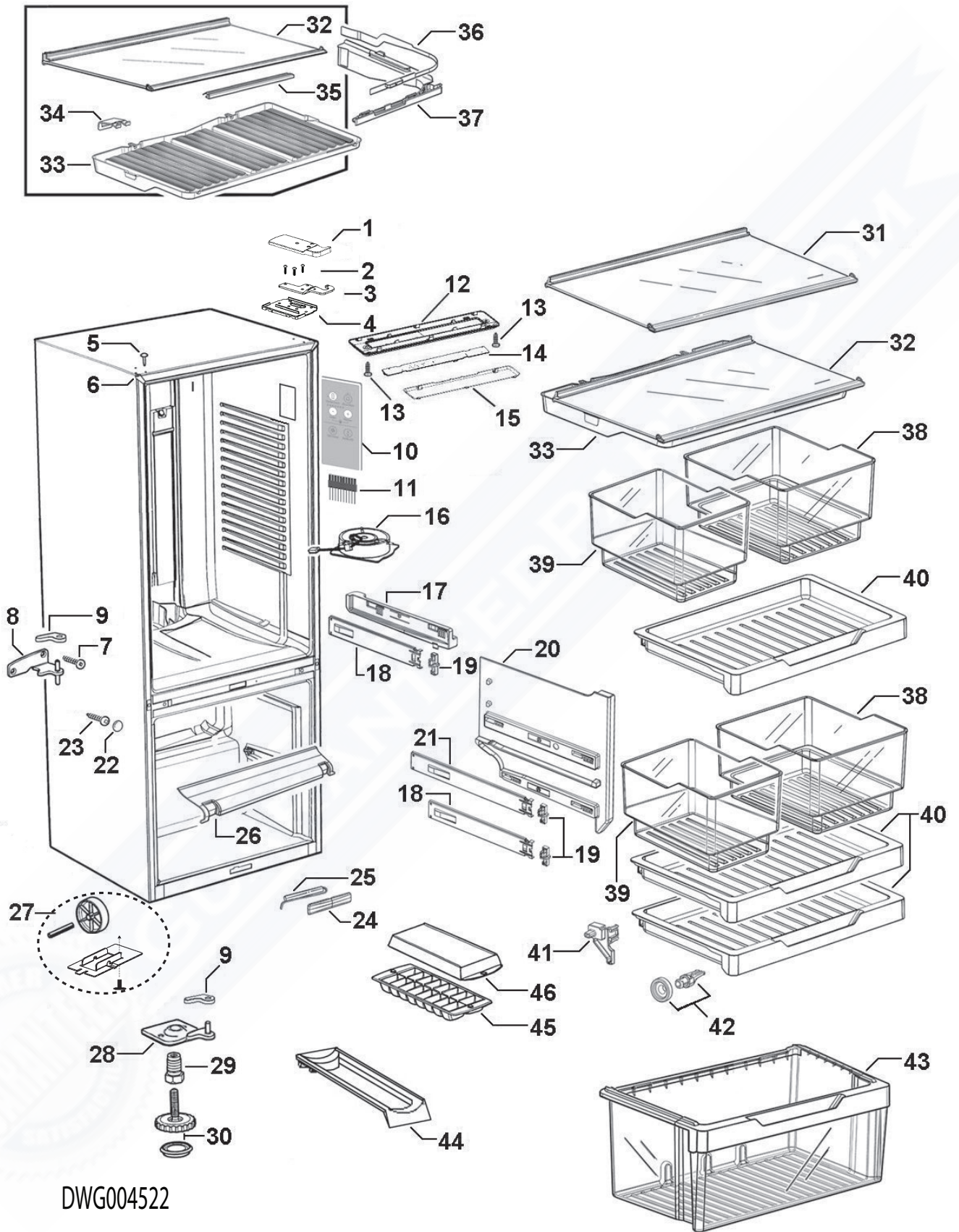


DWG004522

CABINET COMPONENTS

| REFERENCE | PART NUMBER | PART DESCRIPTION |
|-----------|------------------|---|
| 1 | 846778P | COVER HINGE LOW NIW GRY R |
| 2 | 817818P | SCREW M5X20 HEX PH ST TV (PKT 10) |
| 3 | 820717 | BRACKET HINGE IW RH |
| 4 | 846774P | SUPPORT HINGE LOW NIW |
| NI | 847437 | KIT COVER HINGE LOW GRY RH |
| | Includes 846778P | COVER HINGE LOW NIW GRY R |
| | Includes 846774P | SUPPORT HINGE LOW NIW |
| 5 | 883948P | PLUG TAPPED HOLE SILVER (PKT 3) |
| 6 | 883951 | TRIM CORNER SILVER 680/790 |
| 7 | 880656P | SCREW 10GX25CSK SQ SS (PKT 10) |
| 8 | 881283P | BRACKET CENTRE HINGE RH PKD |
| | Includes 883988P | CAP DOOR CLOSING RH HGE BRKT |
| 9 | 883988P | CAP DOOR CLOSING RH HGE BRKT |
| 10 | 837327P | MOD DISP AS U2 INT 6 BUT SVC |
| 11 | 839618 | HARNESS MOLEX 5 WAY SPARES |
| 12 | 820736 | HOUSING FRONT LED PC |
| 13 | 817816P | SCREW 6 X12 AB TRUSS PH ST TV (PKT 10) |
| 14 | 845096P | MOD LAMP AS CEILING SVC |
| 15 | 820737 | WINDOW LED PC |
| 16 | 848320P | PC 3W FAN ASSY JST/DCT |
| | Includes | FAN HOUSING PC ASSY |
| | Includes | DUCT JUNCTION |
| | Includes | CONNECTOR IDC UP2 (2) |
| | Includes | LABEL WARNING 12 VOLT DC |
| | Includes | SHEET INSTRUCTION PC FAN ASSY |
| 17 | 836810 | RETAINER & SLIDE 790 RH ASSY |
| | Includes | RETAINER SLIDE PC RH |
| | Includes 836700 | SLIDE 305 RH ASSEMBLY |
| | Includes 836520P | CLIP SLIDE |
| | 836809 | RETAINER & SLIDE 790 LH ASSY |
| | Includes | RETAINER SLIDE PC LH |
| | Includes 836701 | SLIDE 305 LH ASSEMBLY |
| | Includes 836520P | CLIP SLIDE |
| 18 | 836700 | SLIDE 305 RH ASSEMBLY |
| | Includes 836520P | CLIP SLIDE |
| | 836701 | SLIDE 305 LH ASSEMBLY |
| | Includes 836520P | CLIP SLIDE |

CABINET COMPONENTS



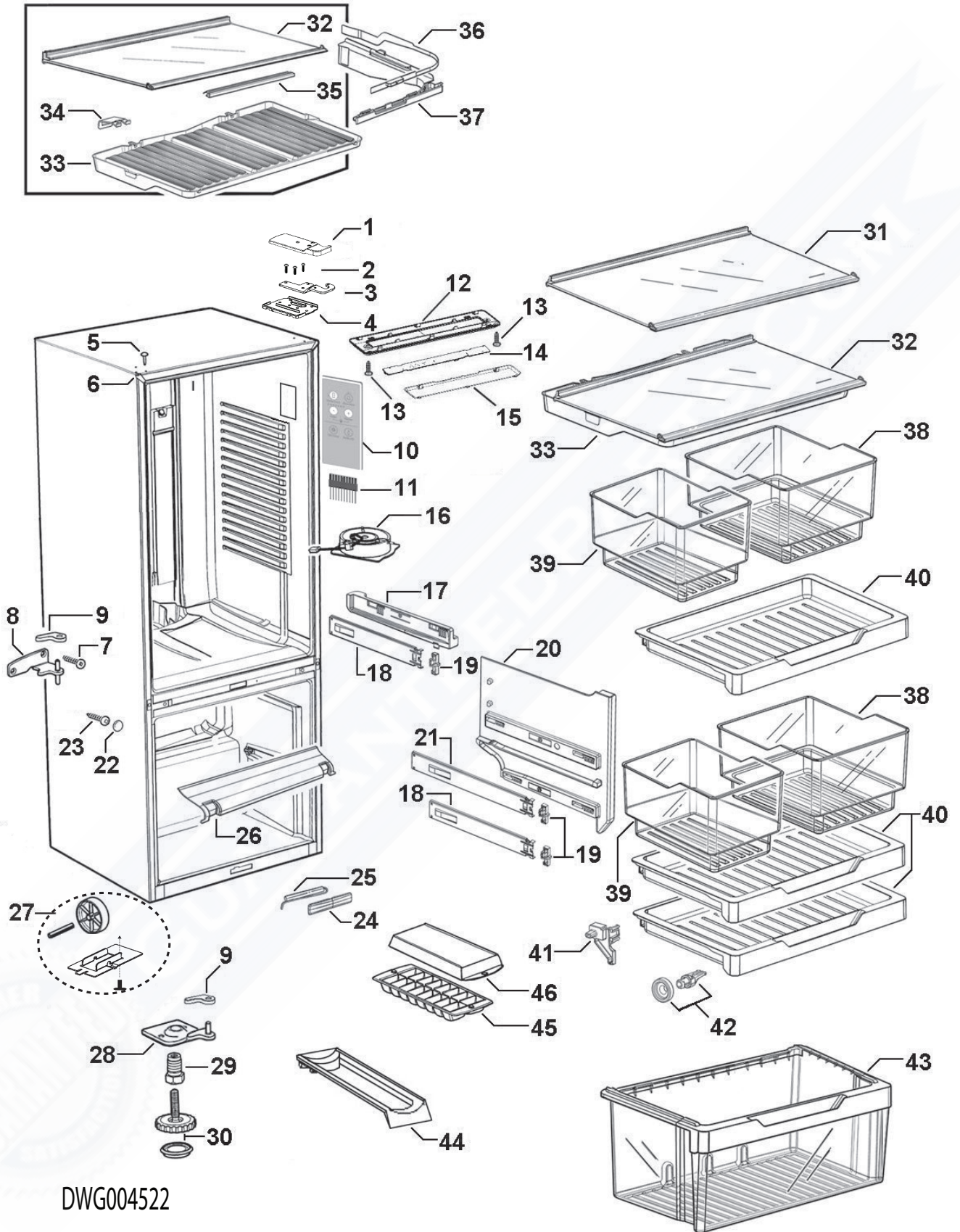
DWG004522

DWG 004522

CABINET COMPONENTS

| REFERENCE | PART NUMBER | PART DESCRIPTION |
|-----------|------------------|--|
| 19 | 836520P | CLIP SLIDE (PKT 2) |
| 20 | 836545 | RETAINER SLIDE FC RH |
| | 836546 | RETAINER SLIDE FC LH |
| 21 | 836702 | SLIDE 350 RH ASSEMBLY |
| | Includes 836520P | CLIP SLIDE |
| | 836703 | SLIDE 350 LH ASSEMBLY |
| | Includes 836520P | CLIP SLIDE |
| 22 | 883953P | CAP SCREW CROSS RAIL SILVER |
| | 880595P | CAP SCREW CROSS RAIL WHT PKD |
| 23 | 817822P | SCREW #10X19 AB #2 SQ TV (PKT 10) |
| 24 | 884011 | COVER REED SWITCH ST4 SILVER |
| | 881420 | COVER REED SWITCH ST4 WHITE |
| 25 | 814443P | SWITCH REED FIELD FIX KIT ST4 |
| | Includes | HEATSHRINK 1/8" MW ADHESIVE LINED |
| 26 | 836595 | DUCT RETURN AIR FC 790 |
| 27 | 847316P | RETAINER WHEEL STEEL KIT |
| | Includes | RETAINER WHEEL STEEL |
| | Includes | SCREW 8-32X8 TY T PAN PH TV |
| | Includes | ROLLER FOOT FRONT |
| | Includes | PIN ROLLER PLATED |
| 28 | 814691P | BRACKET HINGE BASE RH PKD |
| | Includes 883988P | CAP DOOR CLOSING RH HGE BRKT |
| 29 | 813481 | BOLT BLIND END HINGE BRACKET |
| 30 | 818535 | WHEEL LEVELING FOOT ASSY RC |
| | Includes | SCREW M10 LEVELLING FOOT TV |
| | Includes | BASE LEVELLING FOOT |
| 31 | 836751P | SHELF GLASS PC 790 ASSY SC |
| | Includes | SHELF GLASS PC 790 |
| | Includes | TRIM SHELF PC 790 SC |
| | Includes | STIFFENER SHELF PC 790 SC |
| | Includes 836569 | PLUG STIFFENER SHELF RH |
| | Includes 836570 | PLUG STIFFENER SHELF LH |
| | Includes 836567 | PLUG TRIM SHELF RH |
| | Includes 836568 | PLUG TRIM SHELF LH |

CABINET COMPONENTS

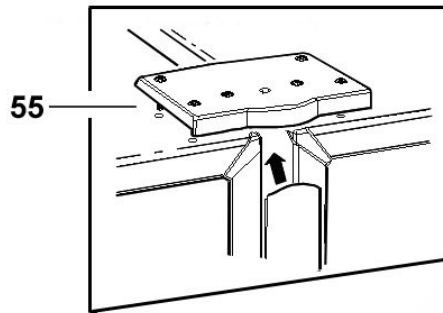


DWG004522

CABINET COMPONENTS

| REFERENCE | PART NUMBER | PART DESCRIPTION |
|-----------|-----------------|---|
| 32 | 836728P | SHELF GLASS HCL 790B ASSY SC |
| | Includes | SHELF GLASS PC 790 |
| | Includes | TRIM SHELF HCL 790 SC |
| | Includes | STIFFENER SHELF PC 790 SC |
| | Includes 836567 | PLUG TRIM SHELF RH |
| | Includes 836568 | PLUG TRIM SHELF LH |
| | Includes 836569 | PLUG STIFFENER SHELF RH |
| | Includes 836570 | PLUG STIFFENER SHELF LH |
| | Includes 819179 | RETAINER HCL FRONT 790 |
| | Includes 881268 | BRACKET HCL SUPPORT B GL SH (2) |
| | Includes 836574 | LID HUMIDITY CONTROL 790B |
| | Includes 836631 | SLIDE CONTROL HUMIDITY RH |
| | Includes 836633 | SLIDE CONTROL HUMIDITY LH |
| | Includes 836632 | GUIDE CONTROL HUMIDITY RH |
| | Includes 836634 | GUIDE CONTROL HUMIDITY LH |
| 33 | 836574 | LID HUMIDITY CONTROL 790B |
| 34 | 881268 | BRACKET HCL SUPPORT B GL SH |
| 35 | 836582 | RETAINER HCL FRONT 790 |
| 36 | 836631 | SLIDE CONTROL HUMIDITY RH |
| | 836633 | SLIDE CONTROL HUMIDITY LH |
| 37 | 836632 | GUIDE CONTROL HUMIDITY RH |
| | 836634 | GUIDE CONTROL HUMIDITY LH |
| 38 | 836524 | BIN SMALL 790 |
| 39 | 836522 | BIN SMALL |
| 40 | 821142 | TRAY 790 |
| 41 | 836585 | SKID TRAY RH |
| | 836586 | SKID TRAY LH |
| 42 | 836517 | WHEEL & CHASSIS ASSEMBLY (PKT 2) |
| 43 | 836661 | BIN ASSEMBLY LARGE 790 |
| | Includes | HANDLE BIN LARGE |
| 44 | 860593 | HOLDER BOTTLE SINGLE |
| 45 | 874107 | TRAY ICE BASE |
| 46 | 874108 | TRAY ICE LID |

CABINET ACCESSORIES



DWG001132 - MARCH 2010

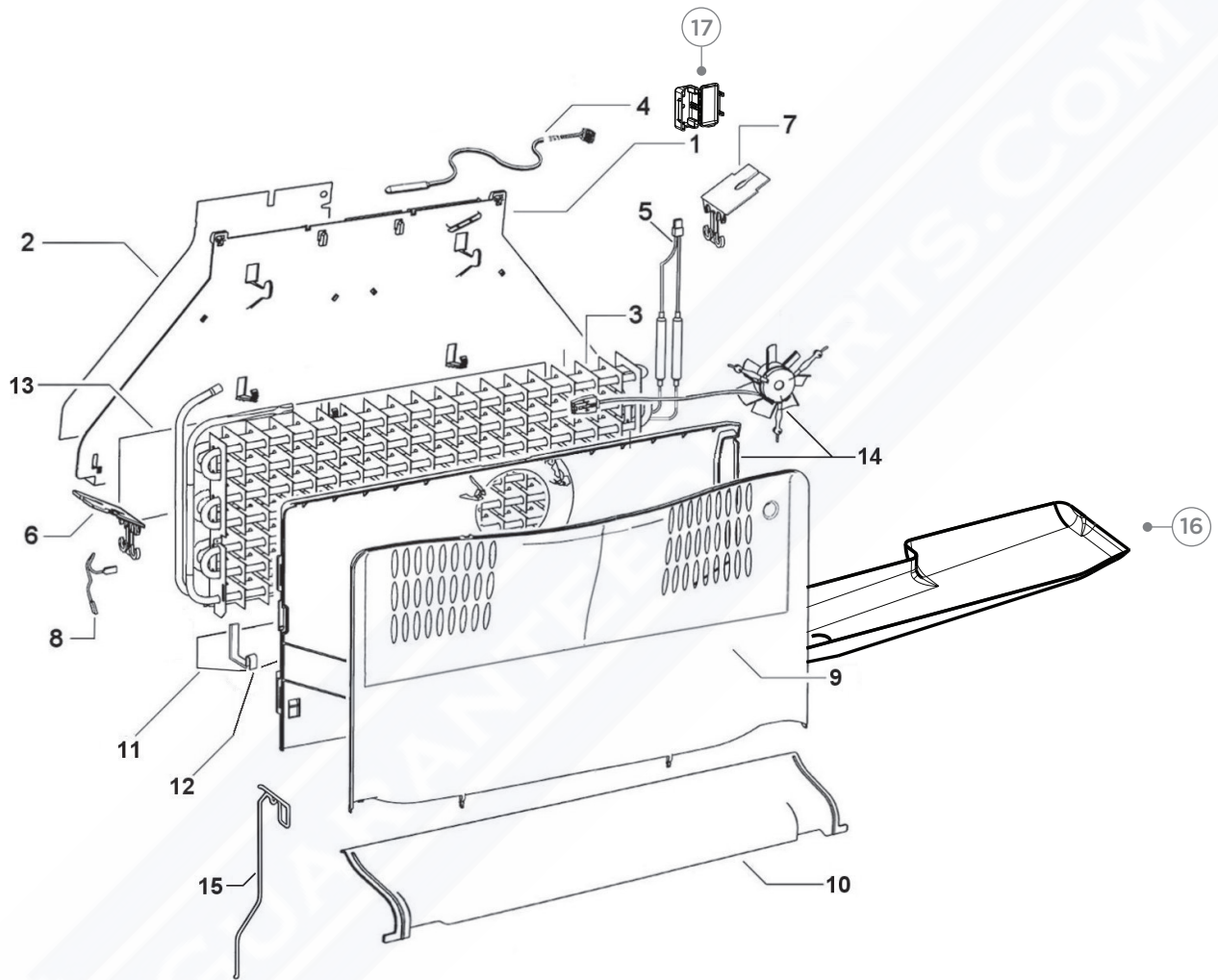
CABINET ACCESSORIES

| REFERENCE | PART NUMBER | PART DESCRIPTION |
|-----------|-------------|-------------------------------|
| 55 | 819264 | KIT JOINER SILVER |
| 56 | 818758 | KIT SURROUND STAINLESS 790 LH |
| | 818759 | KIT SURROUND STAINLESS 790 X2 |

GUARANTEEDPARTS.COM



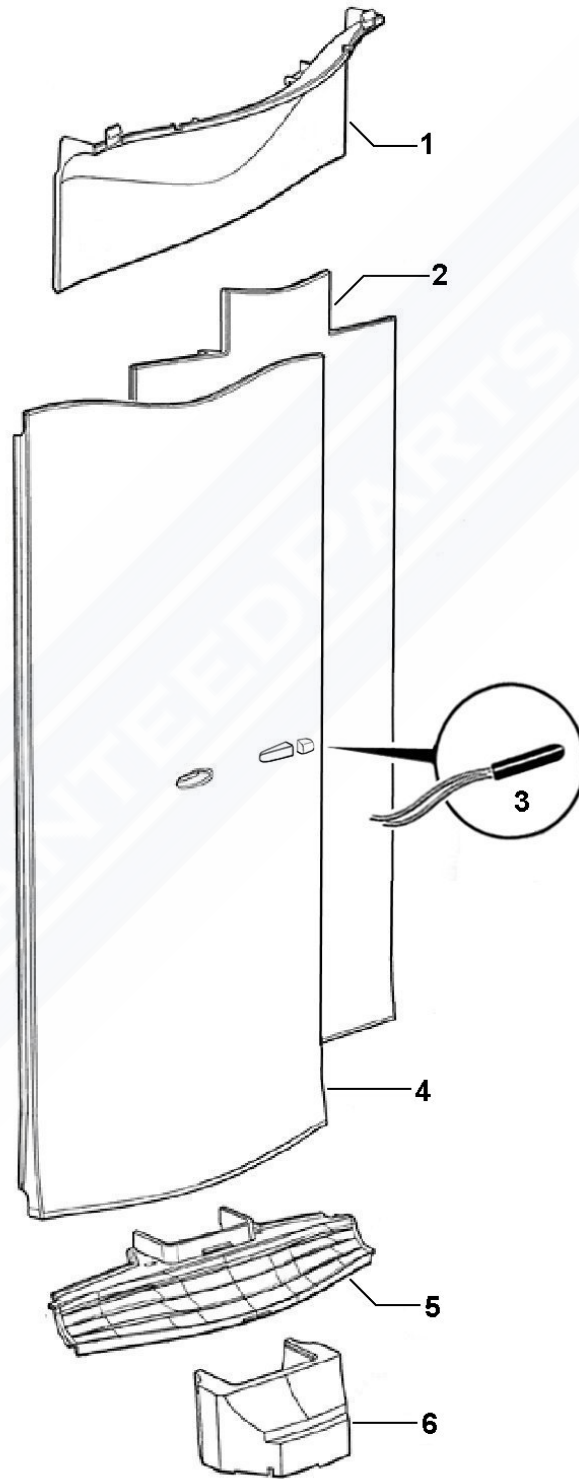
EVAPORATOR AREA COMPONENTS



EVAPORATOR AREA COMPONENTS

| REFERENCE | PART NUMBER | PART DESCRIPTION |
|-----------|-----------------|--------------------------------------|
| 1 | 814475 | CHASSIS EVAP 790B |
| 2 | 884315 | DEFLECTOR HEAT 790B |
| 3 | 821072P | EVAP ASSY 790B 120V DP |
| | Includes | EVAPORATOR FINNED 790 R600A |
| | Includes 814475 | CHASSIS EVAP 790B |
| | Includes 814713 | SHIELD EVAP CHASSIS 790B |
| | Includes 884315 | DEFLECTOR HEAT 790B |
| | Includes 847025 | HEATER DEF DBLE 120V 790 |
| | Includes 820604 | CLIP EVAP BAFFLE |
| | Includes 813992 | CLIP ACTIVE SMART BAFFLE |
| | Includes 820835 | CLIP DEFROST HEATER B SHORT (2) |
| | Includes 814460 | HARNESS EARTH 100MM |
| 4 | 855203P | SENSOR KIT ASSY |
| | Includes | HEATSHRINK 25MM |
| | Includes | HARNESS SENSOR PC |
| | Includes | CONNECTOR BUTT (2) |
| | Includes | SHEET INSTRUCTN BUTT CONNECTORS |
| 5 | 847025 | HEATER DEF DBLE 120V 790 |
| 6 | 813992 | CLIP ACTIVE SMART BAFFLE |
| 7 | 820604 | CLIP EVAP BAFFLE |
| 8 | 814460 | HARNESS EARTH 100MM |
| 9 | 873395 | COVER FAN FC FRONT E790B |
| 10 | 836594 | DUCT RETURN AIR FC 680 |
| 11 | 883783 | SHIELD COVER 790B |
| 12 | 820835 | CLIP DEFROST HEATER B SHORT |
| 13 | 814713 | SHIELD EVAP CHASSIS |
| 14 | 848316P | FAN FC 3W KIT 790 SERIES A TO |
| | Includes 880279 | SHIELD HEATER FC COVER 790 |
| | Includes | COVER FAN FC REAR 790 |
| | Includes | CONNECTOR IDC UP2 (2) |
| | Includes | LABEL WARNING 12 VOLT DC |
| | Includes | FAN DC SUSPENDEDC FC ASSY |
| 15 | 821251 | WIRE DRAIN HEATER DOUBLE B |
| 16 | 884316 | SHIELD DRAIN TRAY 790B |
| 17 | 821745 | COVER PLUG TYCO |

DUCT COVER COMPONENTS



DWG002944 FEBRUARY 2013

DWG 002944

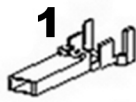
DUCT COVER COMPONENTS

| REFERENCE | PART NUMBER | PART DESCRIPTION |
|-----------|-------------|------------------------------|
| 1 | 837405 | COVER DUCT PC TOP B |
| 2 | 873950 | INSULATION COVER DUCT LONG B |
| 3 | 855203P | SENSOR KIT ASSY |
| | Includes | CONNECTOR BUTT |
| | Includes | HARNESS SENSOR PC |
| 4 | 836861 | COVER DUCT PC B LONG WATER |
| 5 | 813287 | GRILLE PC RETURN AIR B MODEL |
| 6 | 872823 | INSULATION INSERT PID |

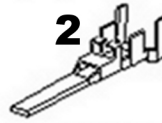
GUARANTEEDPARTS.COM



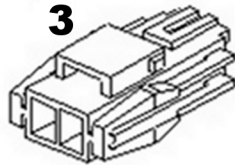
TERMINAL, PLUGS & SOCKETS



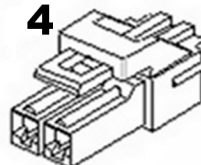
1
JST SOCKET TERMINAL



2
JST PIN TERMINAL



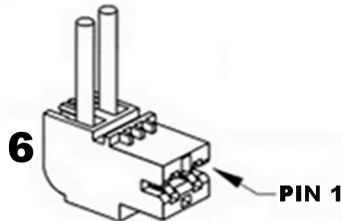
3
JST SOCKET



4
JST PLUG



5
JST RETAINER



6
RAST CONNECTOR



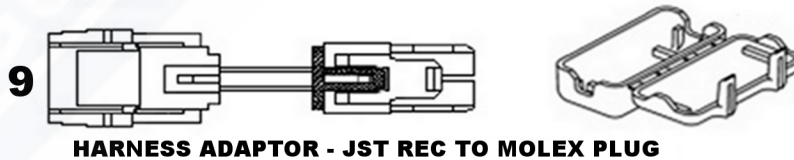
7
RAST CONNECTOR

NOTE THAT IN THE PART NAMES OF THESE CONNECTORS, THE -02- REFERS TO IT BEING A 2 WAY CONNECTOR, AND THE -AB01-(FOR EXAMPLE) REFERS TO THE CODING OF THE CONNECTOR.

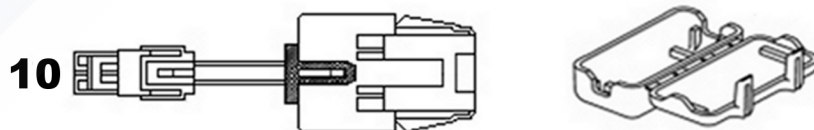


8
RAST CONNECTOR

NEW EDGE CONNECTOR SERIES WITH INTERNAL CODING - NOTE THE WALL
NOTE: TO MINIMISE THE NUMBER OF SPARE PARTS THAT NEED TO BE CARRIED, THESE CODED CONNECTORS ARE TO BE REPLACED WITH THEIR UNCODED EQUIVALENTS FOR THE 3, 5 AND 6 WAY CONNECTORS USED ON STAGE 4 CABINETS.



9
HARNESS ADAPTOR - JST REC TO MOLEX PLUG



10
HARNESS ADAPTOR - JST PLUG TO MOLEX REC

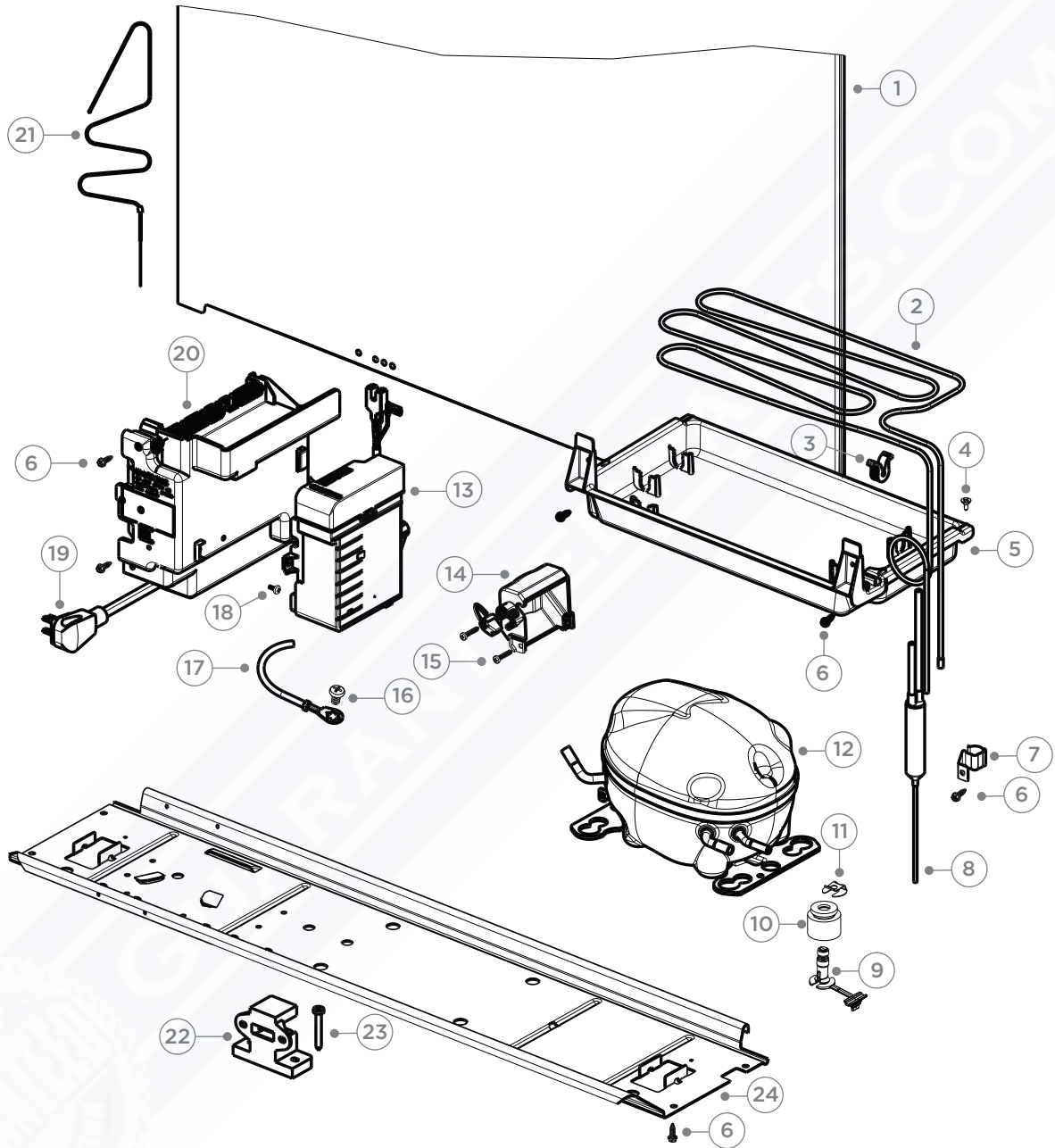
DWG002630 FEBRUARY 2012

TERMINAL, PLUGS & SOCKETS

| REFERENCE | PART NUMBER | PART DESCRIPTION | COMMENTS |
|-----------|-----------------|-------------------------------|------------------|
| 1 | 819607P | TERMINAL SYF-01T PKT 10 | 26/20 AWG |
| | 819608P | TERMINAL SYF-41T PKT 10 | 20/16 AWG |
| 2 | 819609P | PIN/TERM SYM-01T PKT 10 | 26/20 AWG |
| | 819610P | PIN/TERM SYM-41T PKT 10 | 20/16 AWG |
| 3 | 819615 | JST SOCKET 2PIN YLR-02V | |
| | 819616 | JST SOCKET 3PIN YLR-03V | |
| | 819617 | JST SOCKET 4PIN YLR-04V | |
| | 819618 | JST SOCKET 6PIN YLR-06VF | |
| | 819619 | JST SOCKET 8 PIN YLR-08V | |
| 4 | 819611 | JST PLUG 2PIN YLP-02V | |
| | 819612 | JST PLUG 4PIN YLP-04V | |
| | 819613 | JST PLUG 6PIN YLP-06V | |
| | 819614 | JST PLUG 8PIN YLP-08V | |
| 5 | 819620 | RETAINER 2 WAY YLS-02V | |
| | 819621 | RETAINER 3 WAY YLS-03V | |
| 6 | 881588 | CONNECTOR RAST 9290-02-AB01 | MAINS CORD |
| | 881589 | CONNECTOR RAST 9290-02-BA01 | DEFROST HEATER |
| | 881590 | CONNECTOR RAST 9290-02-EE01 | RUN CAPACITOR |
| 7 | 881591 | CONNECTOR RAST 9290-04-EF02 | COMPRESSOR CABLE |
| 8 | 873251 | CONNECTOR RAST 7234-003-500 | |
| | 873250 | CONNECTOR RAST 7234-004-500 | |
| | 881135 | CONNECTOR RAST 7234-005-500 | |
| | 873247 | CONNECTOR RAST 7234-006-500 | |
| | 873279 | CONNECTOR RAST 7234-008-500 | |
| | 873248 | CONNECTOR RAST 7234-010-500 | |
| | 873243 | CONNECTOR RAST 7234-012-500 | |
| | 881136 | CONNECTOR RAST 7234-014-500 | |
| | 881137 | CONNECTOR RAST 7234-017-502 | |
| 9 | 820687P | ADAPTOR JST REC TO MOLEX KIT | |
| | Includes 884412 | COVER PLUG MOLEX | |
| 10 | 820688P | ADAPTOR JST PLUG TO MOLEX KIT | |
| | Includes 884412 | COVER PLUG MOLEX | |

NOTE: THE NUMBERS IN THE DESCRIPTION OF THE RAST CONNECTOR DENOTES THE NUMBER OF CONNECTIONS - EXAMPLE: 7234-017-502 =17 WAY CONNECTOR

COMPRESSOR AREA COMPONENTS



COMPRESSOR AREA COMPONENTS

| REFERENCE | PART NUMBER | PART DESCRIPTION |
|-----------|-----------------|---|
| 1 | 837008 | BACK PANEL 900 FORMED |
| 2 | 819598 | TUBE EVAP FORMED 900 |
| 3 | W10137529P | GROMMET-CONDENSER PKT10 |
| 4 | 815236P | SCREW #12X1/2 CSK PH TV (PKT 10) |
| 5 | 851186 | TRAY EVAP FLAT |
| 6 | 817834P | SCREW #8X16 HEX (PKT 10) |
| 7 | 839481 | CLIP DRIER |
| 8 | 814843P | FILTER DRIER LONG TAIL XH9 12 GRM |
| 9 | 841291P | POST COMP MTG 26MM PKT X4 |
| 10 | 843824P | GROMMET 26MM KIT |
| | includes | POST COMPR MNTG 26MM (4) |
| | includes | GROMMET COMPR MTG 26MM (4) |
| | includes | CLIP FOOT COMPRESSOR (4) |
| 11 | 855270P | CLIP FOOT COMPRESSOR (PKT 4) |
| 12 | 207432P | COMPR PKD EMB VESD9CEVO |
| | includes | COMPR EMB VESD9CEVO |
| | includes 207310 | COVER PROTECTOR VEM |
| | includes 207313 | SCREW INVERTER VEM (4) |
| | includes | FILTER PREBRAZED LONG TAIL |
| | includes | POST COMPR MNTG 26MM (4) |
| | includes | GROMMET COMPR MTG 26MM (4) |
| | includes | CLIP FOOT COMPRESSOR (4) |
| | includes | PIN LOCKING COMP (4) |
| 13 | 207437P | INVERT PKD VESD9CEVO 115V FA |
| 14 | 207310 | COVER PROTECTOR VEM |
| 15 | 207313P | SCREW INVERTER VEM (PKT10) |
| 16 | 817828P | SCREW 8-32X8 TY T PAN PH TV (PKT 10) |
| 17 | 863228 | HARNESS MOD VCC UL EMB |
| 18 | 817823P | SCREW 6-20X12 PAN PH TV EMBRA (PKT 10) |
| 19 | 837802 | CORD SET USA MODEL |
| 20 | 851578P | MOD CTRL VES AS51 120-230V SVC |
| 21 | 849697 | SUCT CAP ASSY BENT 790B 900B |
| 22 | 880911 | BRACKET STABILITY ASSY |
| 23 | 815267P | SCREW #10X40 TAB PAN PH STS TV (PKT 10) |
| 24 | 837028 | TRAY COMP MOUNTING 900 |